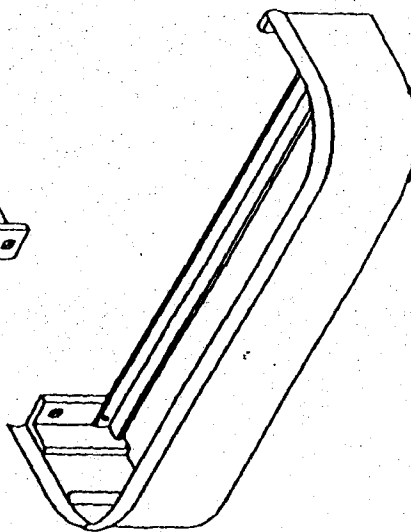
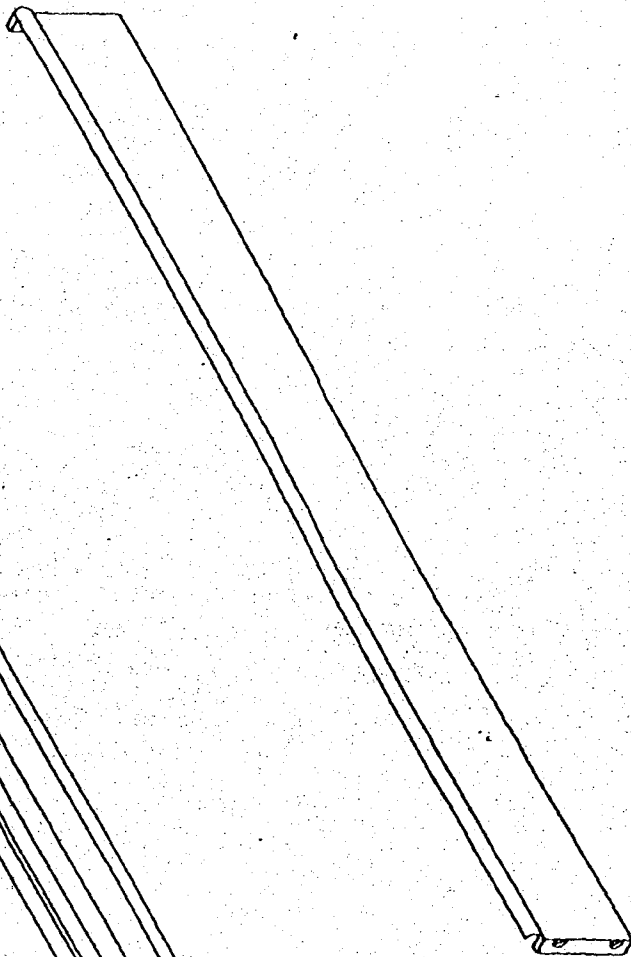
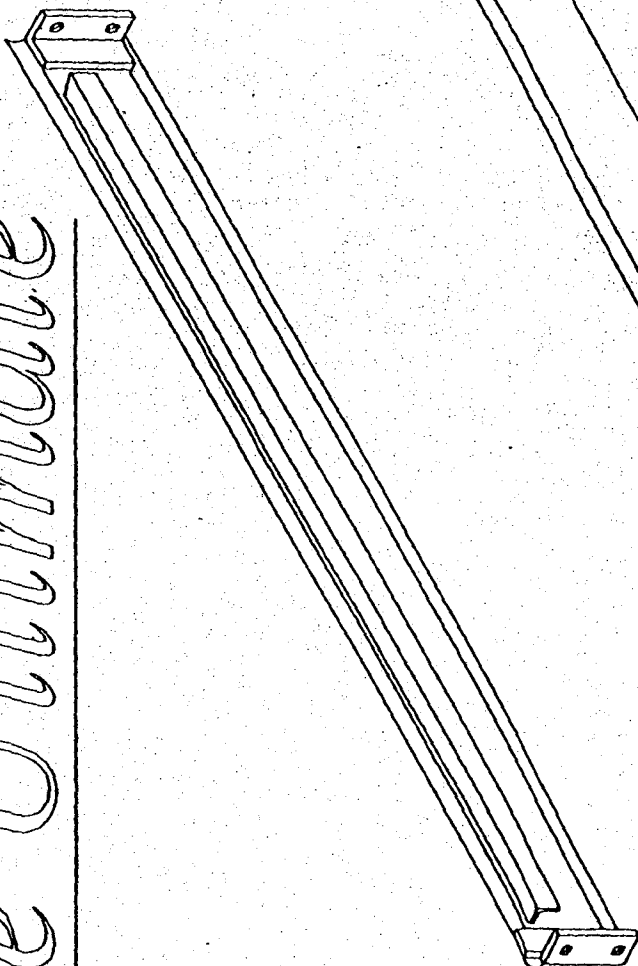
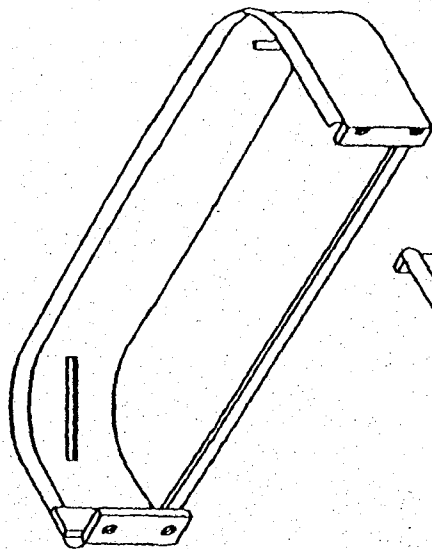


# *The Ultimate*



DATE	REVISION	BY
2-95		
SUBJECT		
ISOMETRIC OF FORMEX ULTIMATE ISLAND CUSTOMER		
SCALE: NONE	JOB NO.	DWG. NO. 183017
		REV. 22895
		SH. NO. OF
Formex		
INCORPORATED		